

## GIA NATURAL COLORED DIAMOND REPORT

June 28, 2022

Report Type .....Grading Report

GIA Report Number ..... 5222500323

Shape and Cutting Style .....Cut-Cornered Rectangular

Modified Brilliant

Measurements ..... 6.52 x 5.12 x 3.58 mm

Carat Weight ..... 1.13 carat

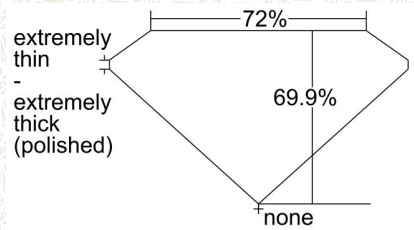
Color Grade ..... Fancy Light Yellow

Color Origin ..... Natural

Color Distribution ..... Even

Clarity Grade ..... VVS2

Proportions:



Profile not to actual proportions

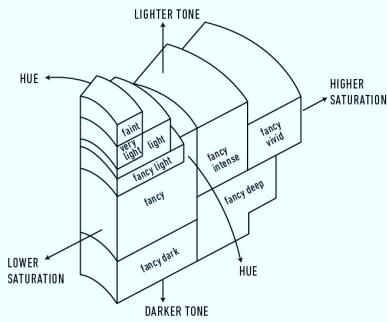
Polish ..... Good

Symmetry ..... Very Good

Fluorescence ..... Faint

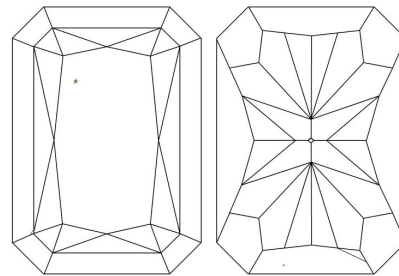
Inscription(s): GIA 5222500323

## ADDITIONAL INFORMATION

GIA COLORED  
DIAMOND  
SCALEIllustration of GIA fancy color  
grade interrelationshipsGIA  
CLARITY  
SCALE

	FLAWLESS
	INTERNALLY FLAWLESS
VERY VERY SLIGHTLY INCLUDED	VVS <sub>1</sub>
	VVS <sub>2</sub>
VERY SLIGHTLY INCLUDED	VS <sub>1</sub>
	VS <sub>2</sub>
SLIGHTLY INCLUDED	SI <sub>1</sub>
	SI <sub>2</sub>
INCLUDED	I <sub>1</sub>
	I <sub>2</sub>
	I <sub>3</sub>

## CLARITY CHARACTERISTICS



## KEY TO SYMBOLS\*

- Feather
- Extra Facet
- Cavity
- Pinpoint
- Natural

\* Red symbols denote internal characteristics (inclusions). Green or black symbols denote external characteristics (blemishes). Diagram is an approximate representation of the diamond, and symbols shown indicate type, position, and approximate size of clarity characteristics. All clarity characteristics may not be shown. Details of finish are not shown.



The results documented in this report refer only to the diamond described, and were obtained using the techniques and equipment available to GIA at the time of examination. This report is not a guarantee or valuation. For additional information and important limitations and disclaimers, please see [GIA.edu/terms](http://GIA.edu/terms) or call +1 800 421 7250 or +1 760 603 4500. ©2021 Gemological Institute of America, Inc.

[reportcheck.gia.edu](http://reportcheck.gia.edu)

THE SECURITY FEATURES IN THIS DOCUMENT, INCLUDING THE HOLOGRAM, SECURITY SCREEN AND MICROPRINT LINES, IN ADDITION TO THOSE NOT LISTED, EXCEED DOCUMENT SECURITY INDUSTRY GUIDELINES.